

# VA-HDN

**Ideal for closed offices and hard ceiling areas**

Hidden within the plenum and mounted to the back of suspended ceiling tiles or gypsum board drop ceilings, the VA-HDN converts these ceiling surfaces into large loudspeakers, providing an impressively diffuse and clear sound field.

When used in closed offices, the VA-HDN speaker allows for independent volume control of the masking sound between adjacent offices or open areas. This solves the problem of masking sound leakage between adjacent areas through the open plenum.

The VA-HDN is also an improved alternative to surface-mounted speakers in the case of gypsum, wood or any drop ceilings. Unlike surface or direct-field speakers, the VA-HDN does not create acoustical hot spots, providing a significantly more diffuse sound field for excellent sound masking uniformity.

The VA-HDN provides an innovative alternative to surface speakers to obtain uniform sound masking, clear paging and music, and without any compromise on the aesthetic of the ceiling.

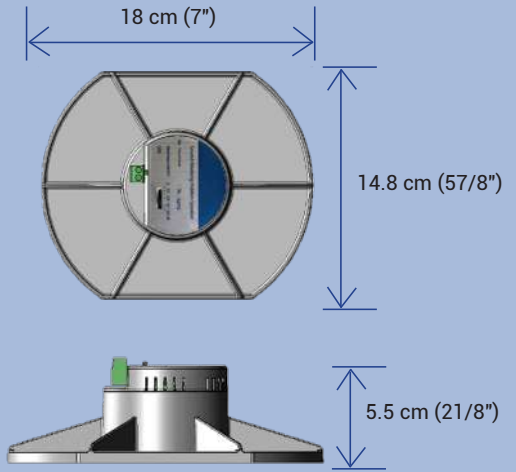
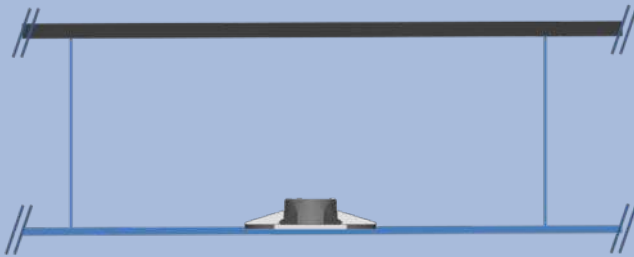
## Specifications

Power	5 W
Line Voltage	25 V
Enclosure Material	Fireproof Lexan UL-94-V0
Frequency Response	100 Hz to 10 kHz
Output Level (W/m)	70 dBA <sup>1</sup>
Connectors	Screw-On
Driver	Vibration Exciter
Level Adjustment	Sliding switch 0 to -6 dB; -1.5 dB step
Max Nb/channel	4 per VoiceArrest™ output channel
Mounting	Adhesive <sup>2</sup>
Color	White
Weight	0.47 kg (1.0 lbs)
Overall Dimension	18 x 14.8 x 5.5 cm (7 x 57/8 x 21/8)
Shipping Weight	0.55 kg (1.2 lbs)
Box Dimensions	21.5 x 17 x 8 cm (7 x 6 1/2 x 3 1/4")



- 1-Typical value of gypsum board
- 2-Construction adhesive; 3M spray can also be used on clean surface.

Typical installation on the back of suspended ceiling



\*Tap speaker to 2W@25V