

# VOLITO BEAM

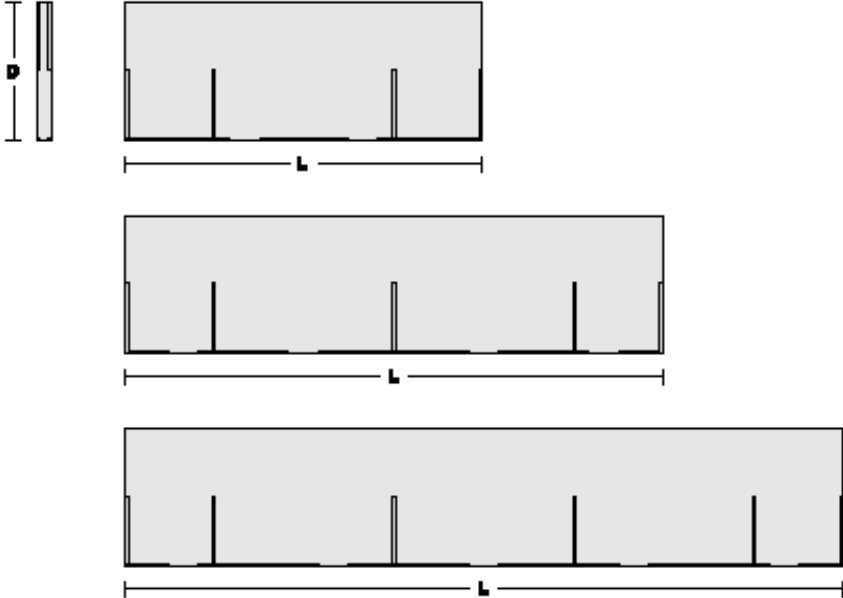
*Ceiling Baffle*

---

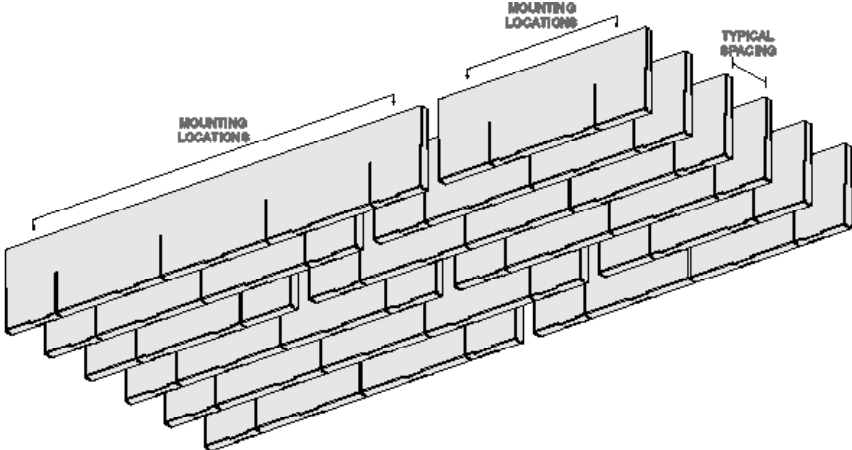
# PRODUCT SPECIFICATIONS

- Choose from 20 available colors
- Standard Sizes:  
D= 14"  
L= 48" 72" 96"  
W=2.75"
- Can be custom cut for any space
- Enhance your workspace aesthetics
- Improve the acoustic environment

## ELEVATION



## INSTALLATION



# TECHNICAL SPECIFICATIONS

## Absorption

Average NRC 0.85 (subject to mounting conditions)

## Material

100% polyester fiber acoustic felt

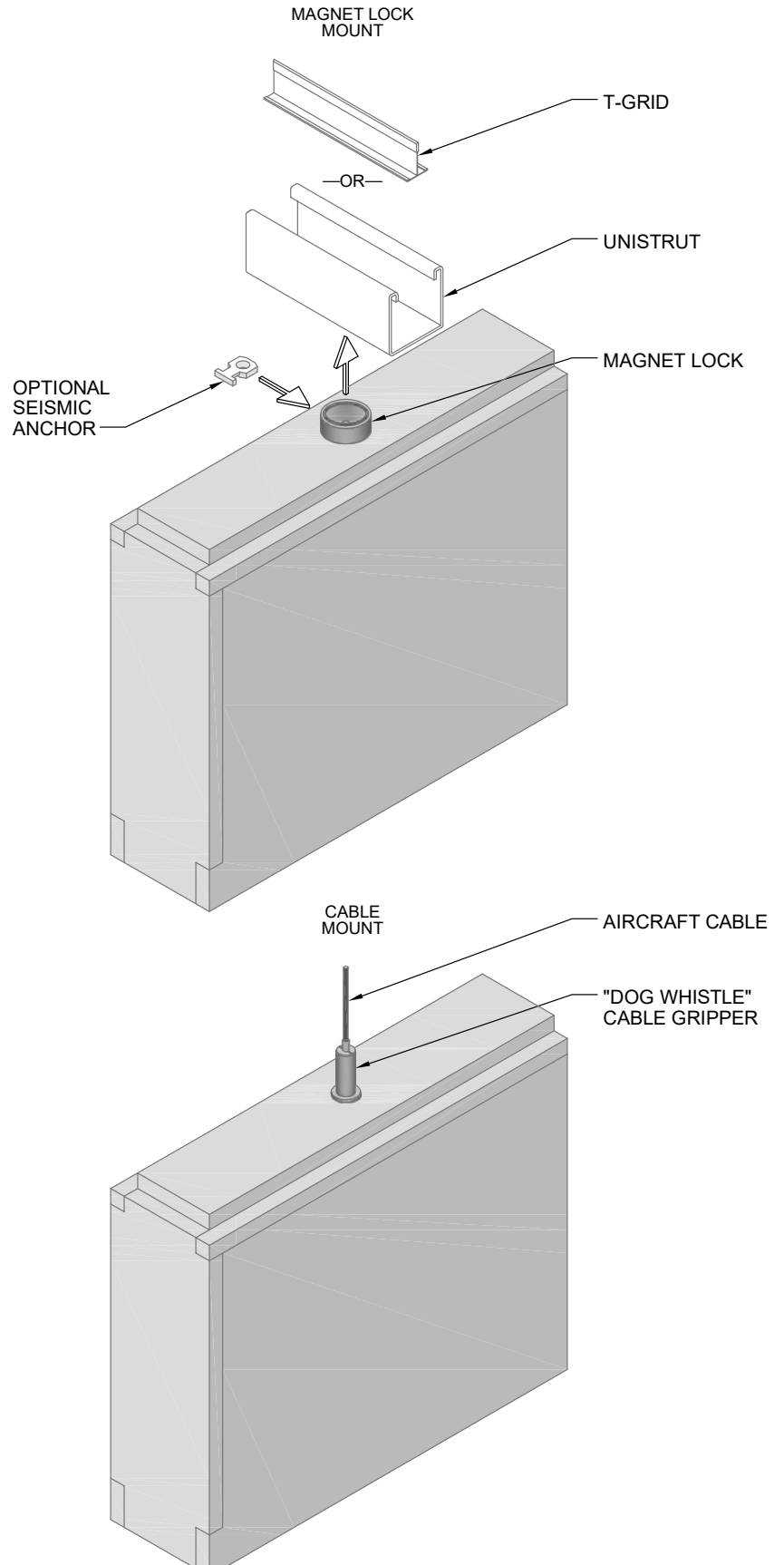
## Eco-Friendly

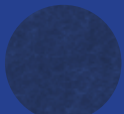
YES, 60% recycled PET materials, 40% new material, non-toxic, non-allergenic, non-irritant, no-coatings/sprays that degrade

## Fire Rating

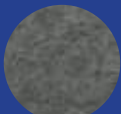
ASTM E84 Class A Fire Spread rating is permanently achieved by infusing 40% new material into the panel. We don't use sprays or coating that degrade and lose their rating status.

## MOUNTING OPTIONS





01 BLUEBERRY



02 MOSS



03 MARBLE



04 GRAPHITE



05 BLUE SKY



06 ORANGE



07 SAND



09 ONYX



11 LEMON



12 AVOCADO

**ECOPRIVACY**  **ACOUSTIC® Panels Colors**



13 WINE



17 BEACH



18 GRANITE



24 SNOW



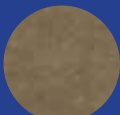
25 CHERRY



26 GRAPE



33 SLATE



39 EARTH



43 IVORY



46 GREEN APPLE